

LF120 Control lever



Single or double operation of propulsion machinery/tunnel thruster.

LF120 is designed for single or double operation propulsion machinery, but is also used for tunnel thruster operation. A robust controller that is established as one of the most reliable maritime control levers on the market.

The standard lever may be modified according to customer's requirements, such as panel plate, different scales, straight or curved shafts (standard Lilaas propulsion control = straight shafts), different handles, potentiometers, detents and switch operation.

Note: Separate product sheets for motorized versions of LF120

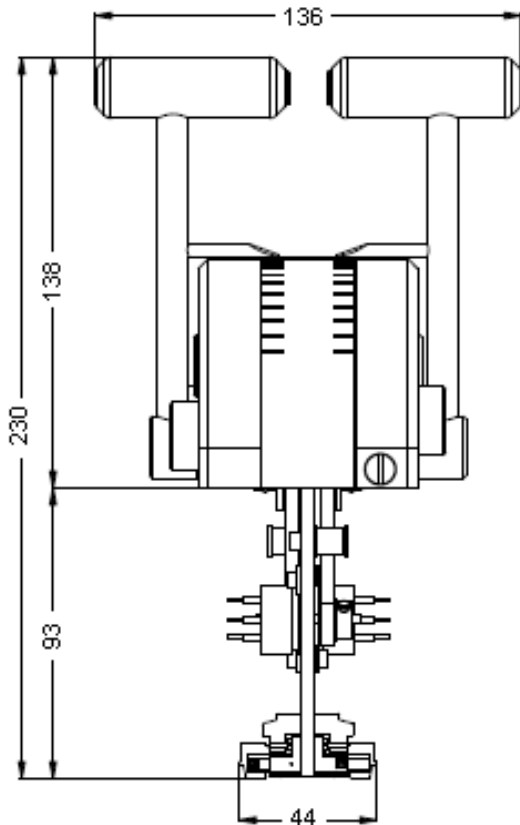
Talk to us:

Spain +34 912 625 978 info.es@kinextec.com
Italy +39 02 927 281 info@kiepeelectric.com

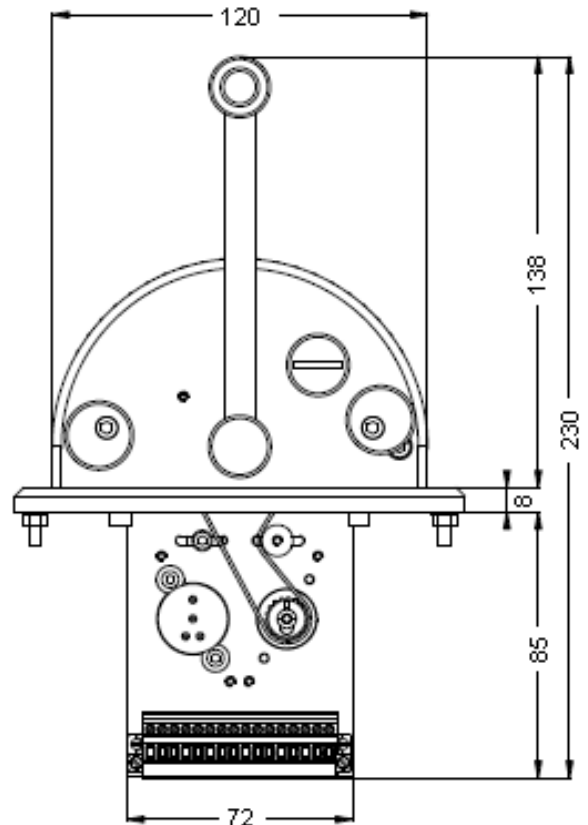
More information
www.lilaas.no

Control lever LF120

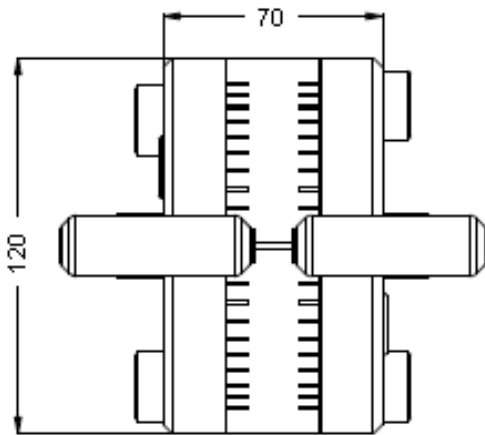
Outline sketch also valid for single lever (only one handle and one set of mechanical parts below panel plate)



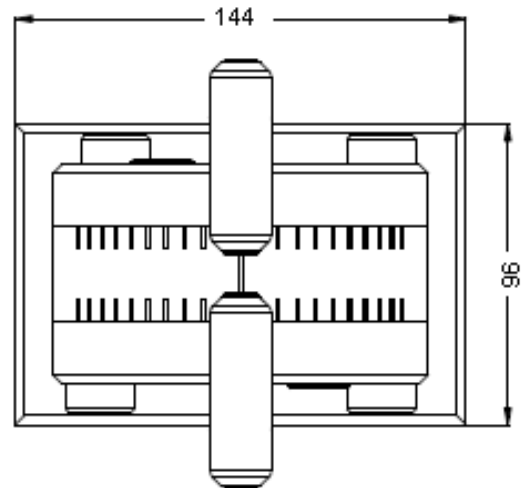
Front view



Side view with panel plate



Top view



Top view with panel plate

Technical description, standard

Side covers:	Black coated aluminium
Shaft:	Dull surface, stainless steel
Handle:	Dull surface, POM
Scale:	Self adhesive on acrylic bow
Standard scale light:	24 volts bulb
Standard potmeter:	5 K
Potmeter operation:	Tooth belt
Standard termination:	16 pins contact with plug
Enclosure:	IP66 w/panel plate
Type approval:	EN/IEC 60945, ABS, BV, DNV, GL, KR, LR, NK, RINA, PRS, RS, CRS

Options, single and double

- Spring-loaded return to neutral position
- Built-in switches
- Detents .limited deflection
- Various handles and shafts
- Panel plate 96x144 mm
- Motorized (see separate product sheet)
- A range of scale foils, thruster or propulsion
- Integrated scale light
- Other options on request