

LF180 Control lever



Single or double operation of propulsion machinery.

LF180 is designed for single or double operation propulsion machinery. A robust “full size” and very reliable controller.

The standard lever may be modified according to customer’s requirements, such as panel plate, scales, handles, potentiometers, detents and switch operation.

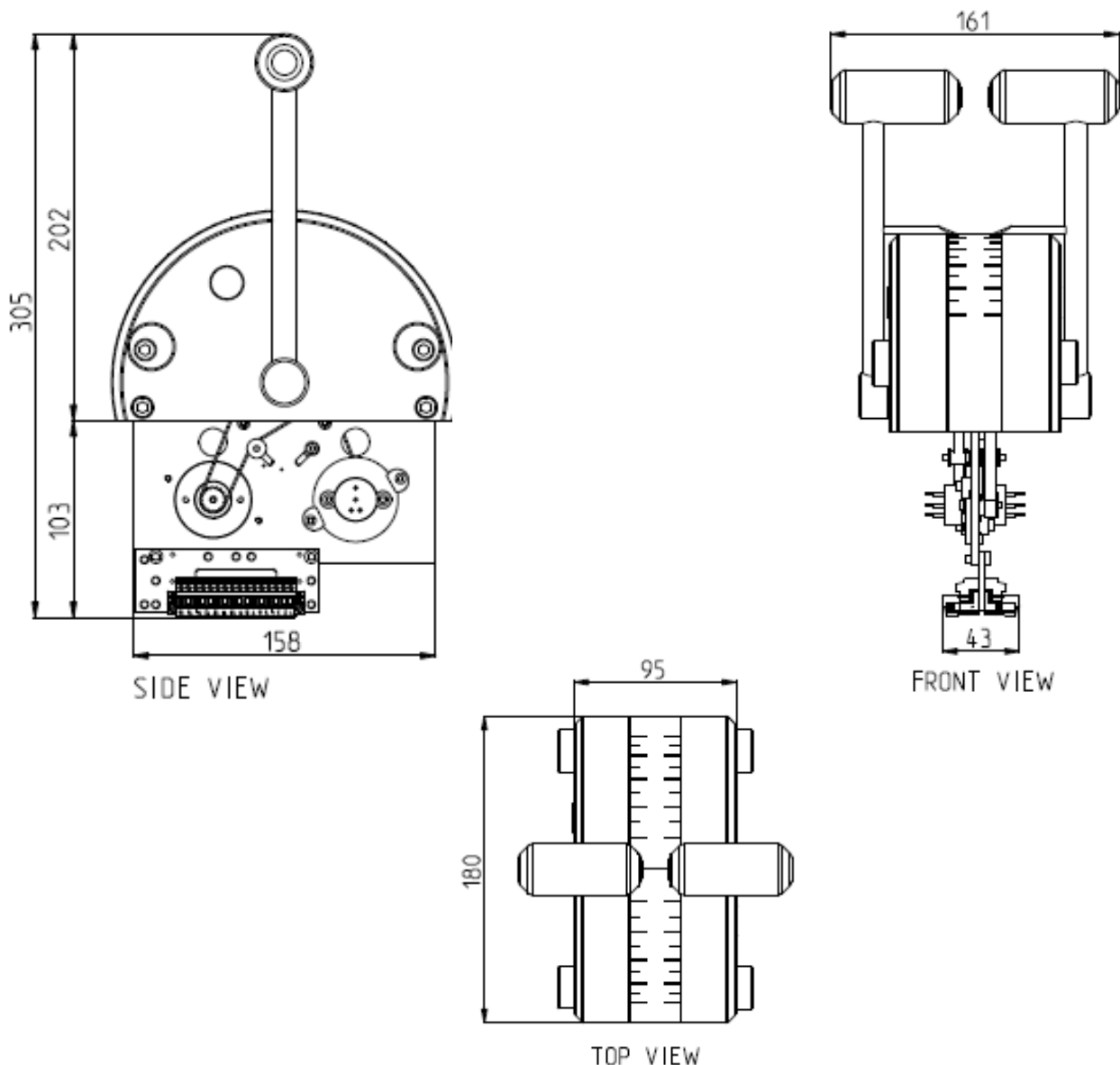
Talk to us:

Spain +34 912 625 978 info.es@kinextec.com
Italy +39 02 927 281 info@kiepeelectric.com

More information
www.lilaas.no

Control lever LF180

Outline sketch also valid for single lever (only one handle and one set of mechanical parts below panel plate)



Technical description, standard

Side covers: Black coated aluminium
Shaft : Dull surface, stainless steel
Handle: Dull surface, POM
Scale: Self adhesive on acrylic bow
Standard scale light: 24 volts bulb
Standard potmeter: 5 K
Potmeter operation: Tooth belt
Standard termination: 16 pins contact with plug
Enclosure: IP56
Type approval: EN/IEC 60945, ABS, BV, DNV, GL, KR,LR, NK, RINA, PRS, RS, CRS

Options, single and double

Spring-loaded return to neutral position
Built-in switches
Panel plate
Limited deflection
Motorized
Scales

Other options on request.