

LF80 Rudder control unit



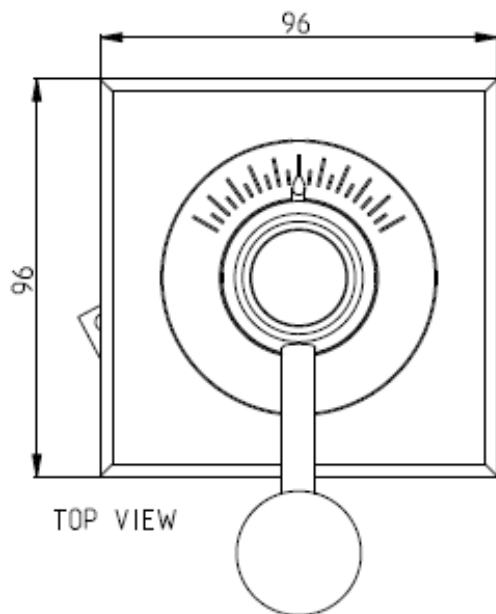
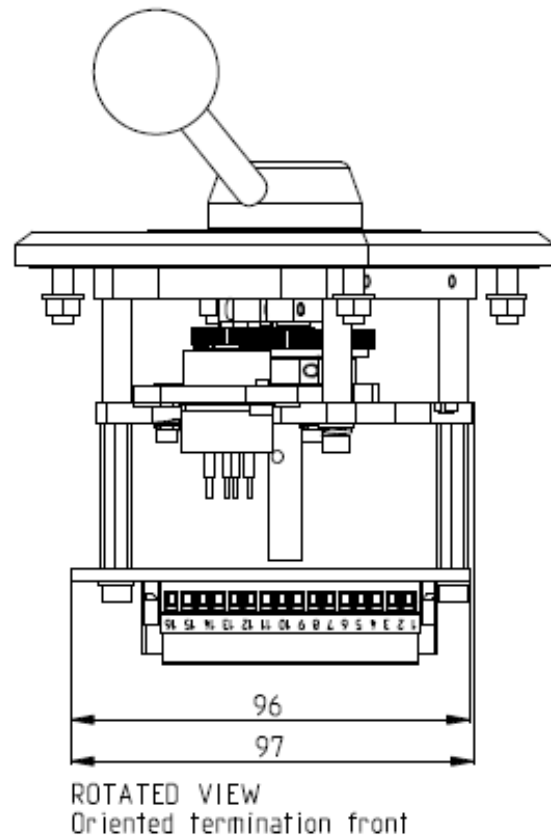
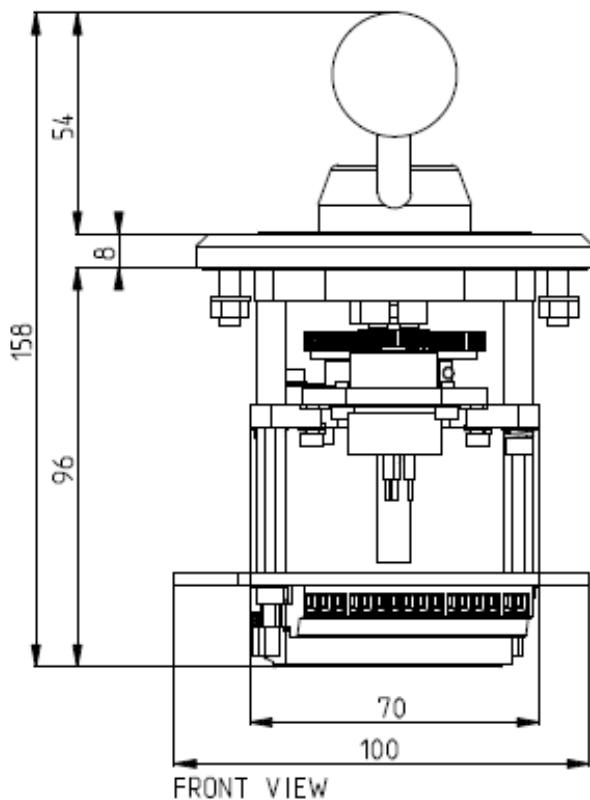
Small and reliable rudder control lever. Designed for electronic control, equipped with shaft. Different knobs and/or wheels and a range of scales available as options.

Talk to us:

Spain +34 912 625 978 info.es@kinextec.com
Italy +39 02 927 281 info@kiepeelectric.com

More information
www.lilaas.no

Rudder control lever LF80



Technical description, standard

Panel plate:	Coated aluminium
Handle:	Dull surface stainless steel and POM
Scale:	Self-adhesive with light (24V)
Standard potentiometers:	5K
Potentiometer operation:	Gear Wheel
Standard termination:	16 pins contact with plug
Enclosure:	IP66
Type approval:	EN/IEC 60945, ABS, BV, DNV, GL, KR, LR, NK, RINA, PRS, RS, CRS

Options

Integrated scale light
Built in switches
Motorized axis
Alternative potentiometers
Wheel, knob or handle
Deflection
EMC protection
Spring-loaded return to neutral

Other options on request